

SPECIFICATIONS FOR 2017 FCM CATALOG

FCM P-21 CRESCENT BAR PULL



MATTE BLACK
SATIN CHROME
POLISH CHROME

MATTE BLACK
SATIN CHROME
POLISH CHROME

MATTE BLACK
SATIN CHROME
POLISH CHROME

SATIN NICKEL
BLACK NICKEL
SATIN BRASS

SATIN NICKEL
BLACK NICKEL
SATIN BRASS

SATIN NICKEL
BLACK NICKEL
SATIN BRASS

Medium Antique Bronze: Add 5.50 to Satin Nickel Category.

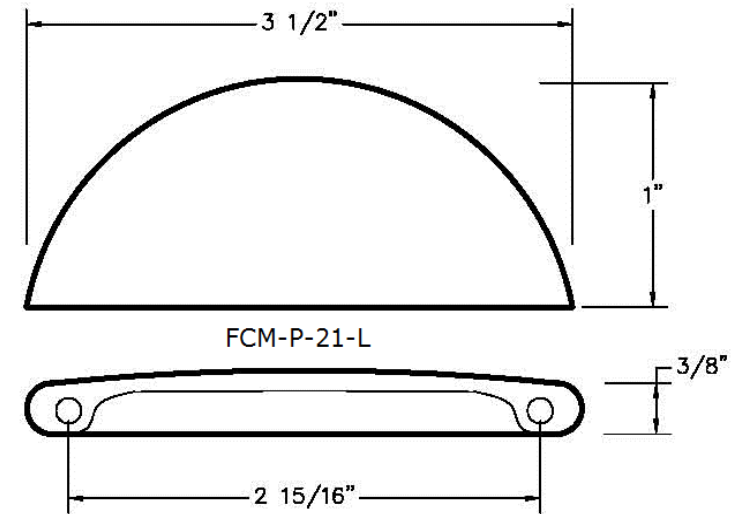
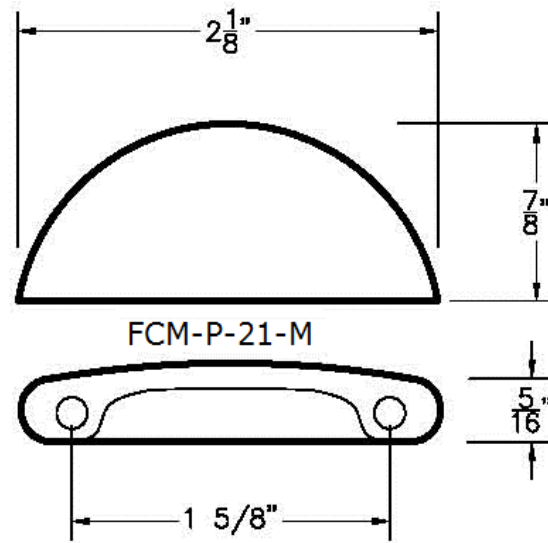
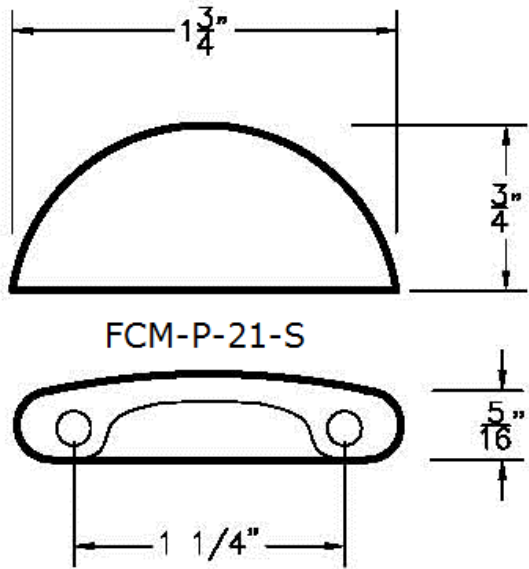
PART NUMBER	Overall Length	Hole Location CTC	Depth	Projection	Price			Lead Time		
					1-99	100-499	500-999	1-99	100-499	500-999
FCM-P-21-S	1-3/4"	1-1/4"	3/4"	5/16"	5.40	5.20	5.00	6.00	5.85	5.50
FCM-P-21-M	2-1/8"	1-5/8"	7/8"	5/16"	6.50	6.30	6.00	7.25	7.15	7.00
FCM-P-21-L	3-1/2"	15/16"	1"	3/8"	7.50	7.30	7.00	8.10	7.99	7.70

Our FCM-P-21 Crescent Pull has a soft flat surface with a gentle radius that turns into a perfectly rolled front detail that is a full 1/4" thick. Our standard finishes are based on the most popular requests but any custom finish can be achieved on this quality material. With a smooth wide surface, this pull is a real beauty. We polish and plate or powder coat in any finish you require.

Please call us for any special request you may have. We are here and always eager to help!

Fantasy Creations in Metal Inc.

Ph-951.280.0438 Fax-951.280.0458 Metalsdiva@aol.com www.FCMetals.com



Fantasy Creations in Metal Inc.

Ph-951.280.0438

Fax-951.280.0458

Metalsdiva@aol.com

www.FCMetals.com